

Single Axis Robot

KS05 Type

2.1 Features

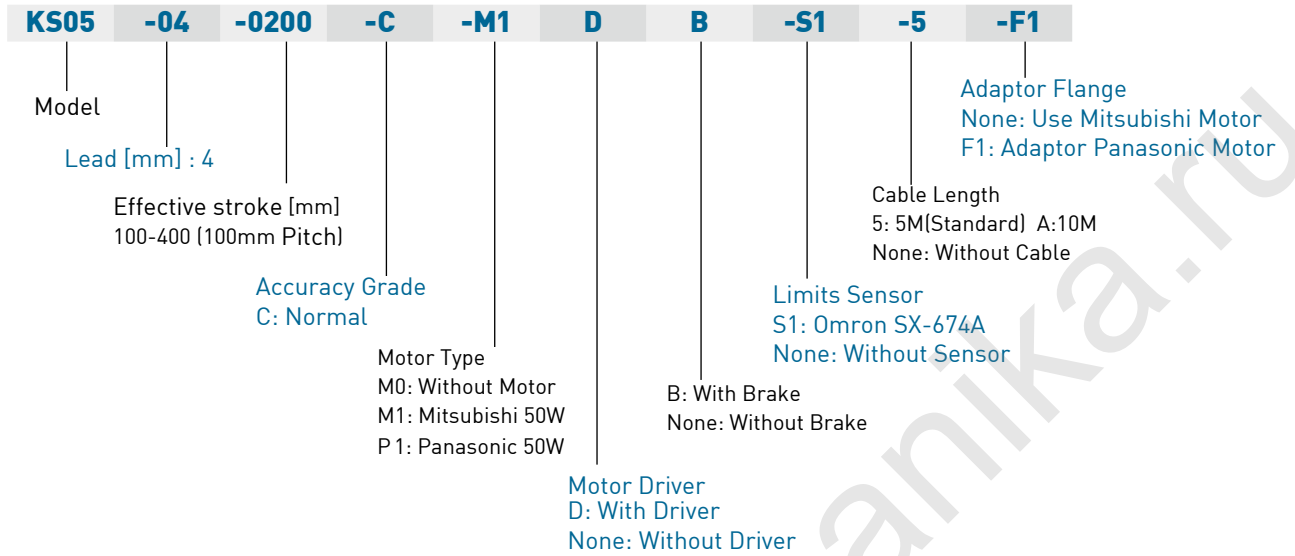
- Compact and lightweight
- Reasonable price
- Stainless Covers
- High repeatability $\pm 0.01\text{mm}$
- Dust proof
- Relative motion for sliders (double sliders)
- Easy for system maintenance

2.2 Applications

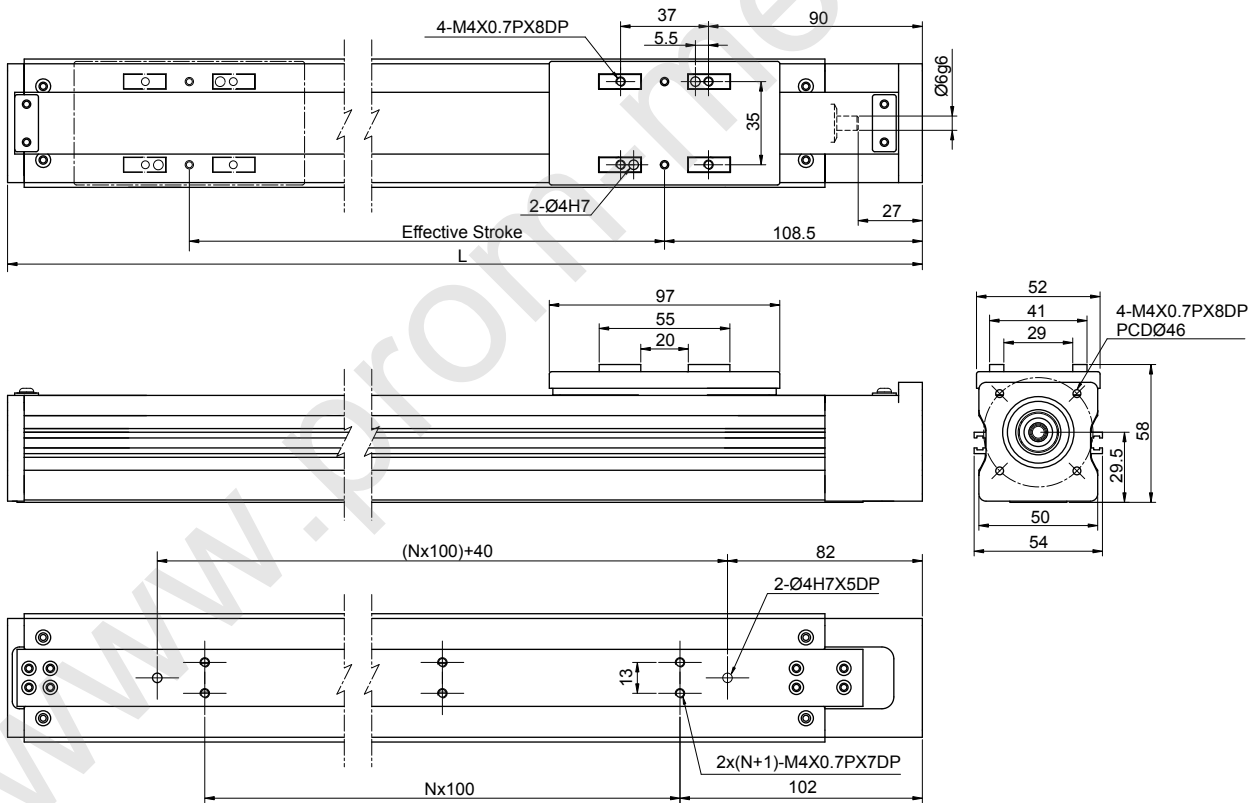
- FPD industry
- Semiconductor
- Medical applications
- FPD glass transfer & alignment
- Inspection & Testing equipment



2.3 Model Number of KS05 Type



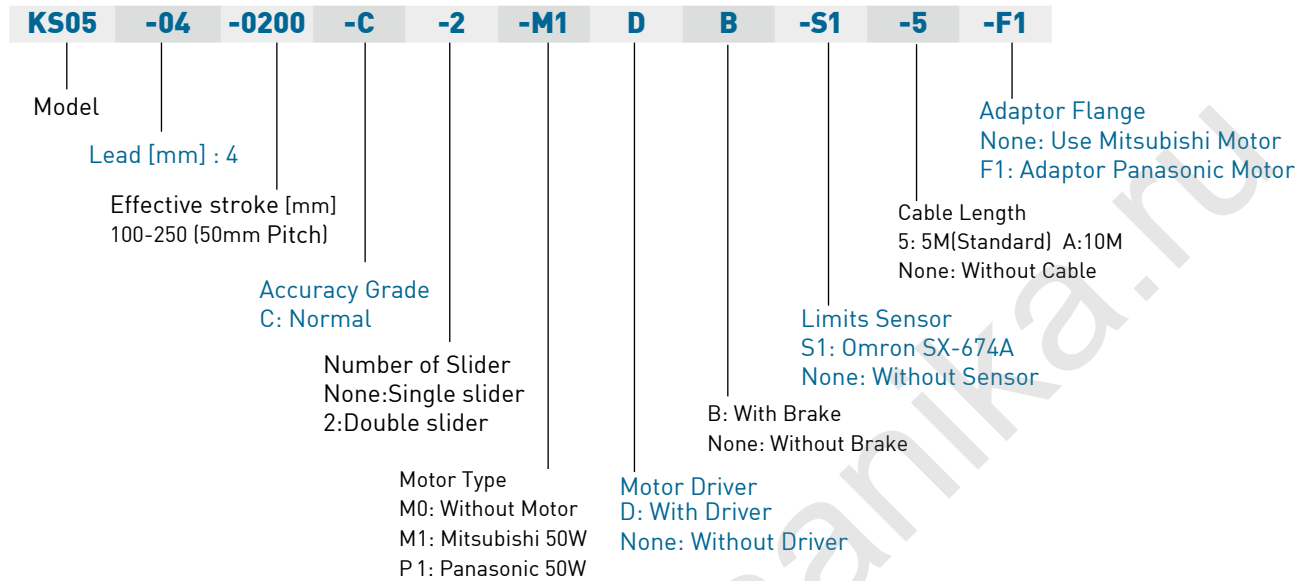
2.4 Dimensions for KS05 (Single slider)



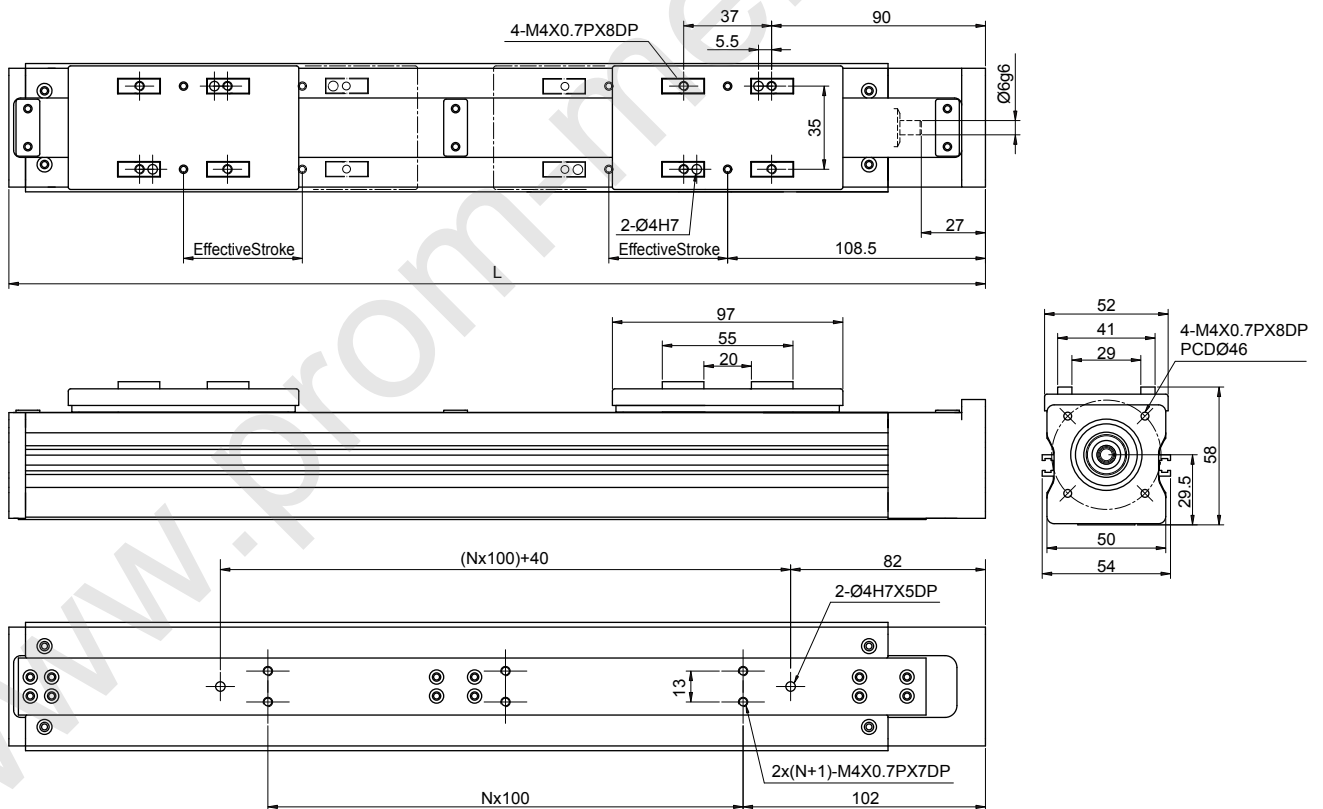
Effective Stroke (mm)	Total Length (mm)	N	Weight (kg)	Max. Speed (mm/sec)	AC Servo Motor Output (W)	50
100	285	1	1.4	200	Repeatability (mm)	Grade C: ±0.02
200	385	2	1.7	200	Ball screw lead (mm)	4
300	485	3	2	200	Stroke (mm)	100~400 (100 Pitch)
400	585	4	2.3	200	Cable length (m)	5 [Standard], 10

Note: Please consult HIWIN MIKROSYSTEM when using the special specification with the stroke or speed.

2.5 Model Number of KS05 Type



2.6 Dimensions for KS05 (Double slider)



Effective Stroke (mm)	Total Length (mm)	N	Weight (kg)	Max. Speed (mm/sec)	AC Servo Motor Output (W)	50
100	511	3	2.3	200	Repeatability (mm)	Grade C: ±0.02
150	611	4	2.5	200	Ball screw lead (mm)	4
200	711	5	2.8	200	Stroke (mm)	100~250 (100 Pitch)
250	811	6	3	200	Cable length (m)	5 (Standard), 10

Note: Please consult HIWIN MIKROSYSTEM when using the special specification with the stroke or speed.

www.prom-mechanika.ru

Single Axis Robot KS Type

3.1 Features

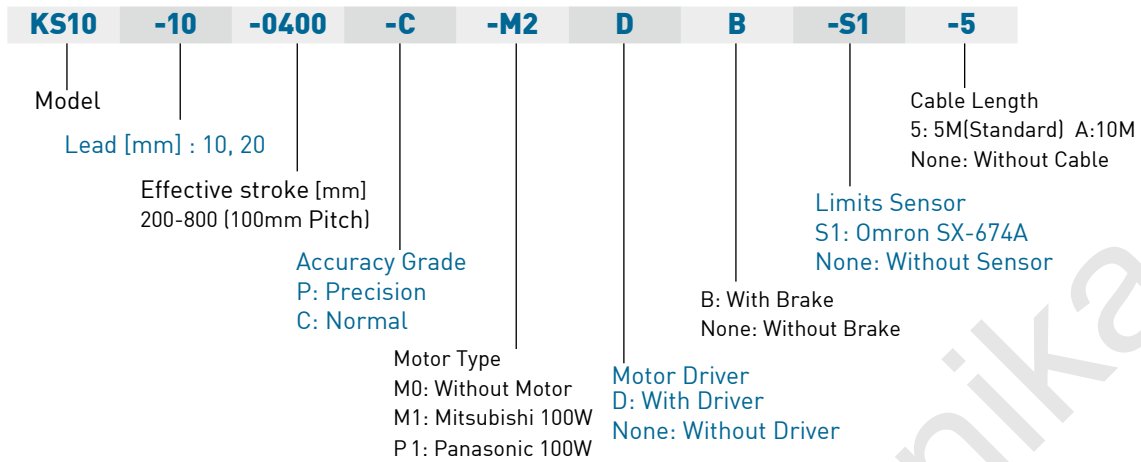
- Reasonable price
- Clean room class 10-100
- Stainless covers
- Already installed AC servo motor (optional)
- High repeatability $\pm 0.01\text{mm}$
- Dust proof
- Support different Strokes

3.2 Applications

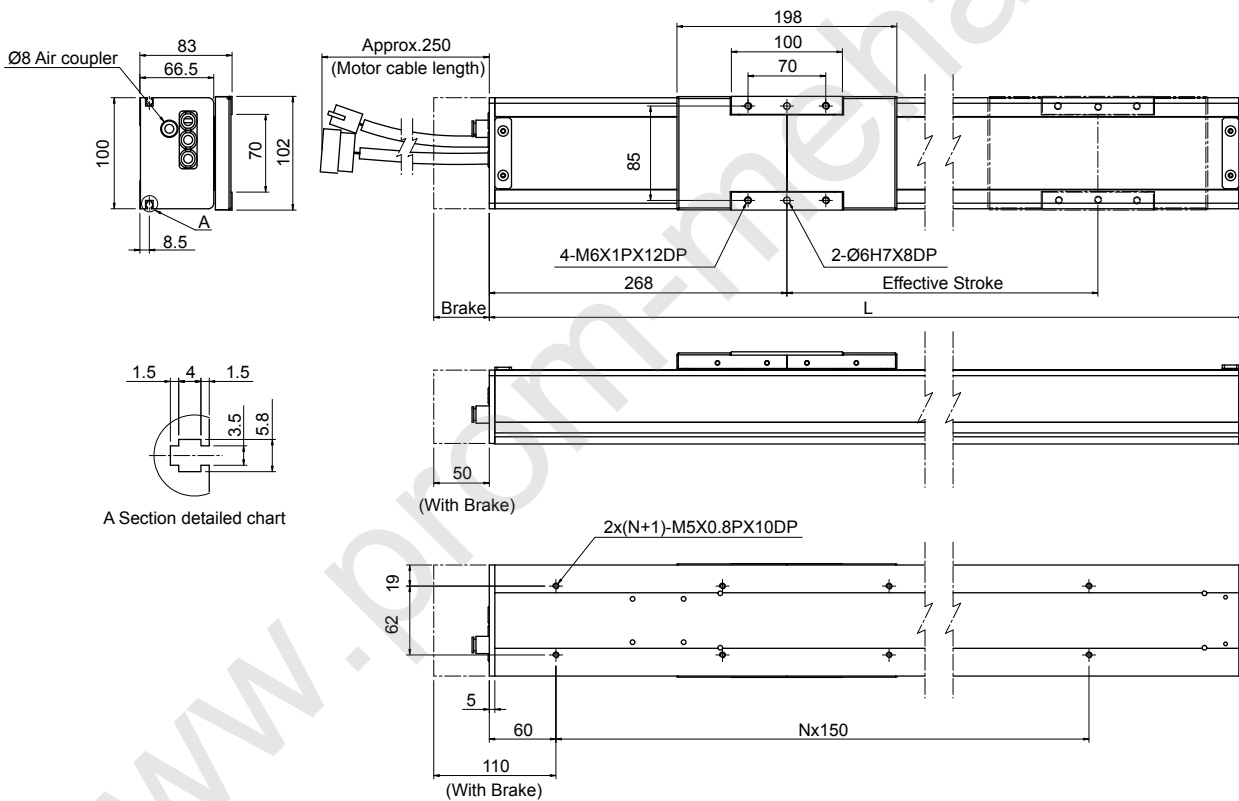
- FPD industry
- Semiconductor
- Medical applications
- FPD glass transfer
- Inspection & Testing equipment



3.3 Model Number of KS10 Type



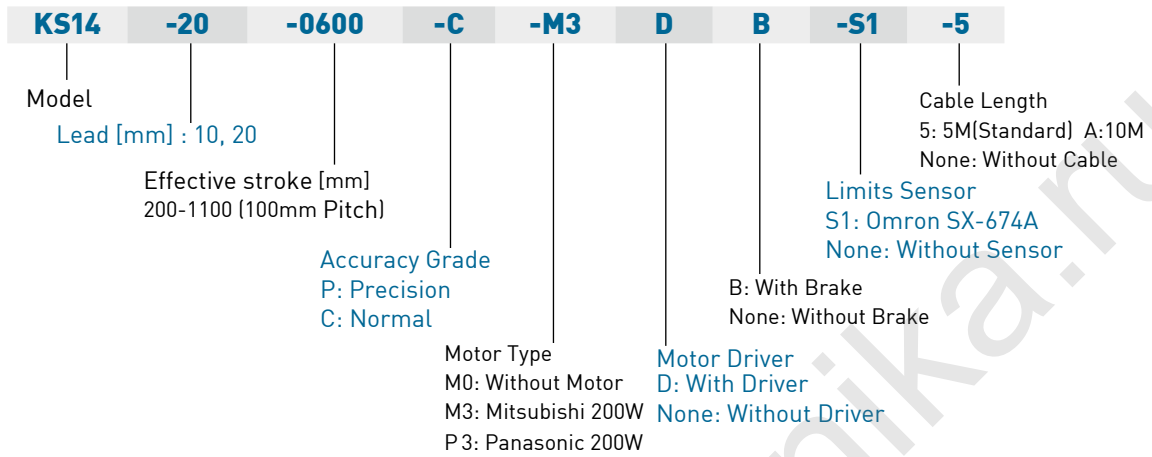
3.4 Dimensions for KS10



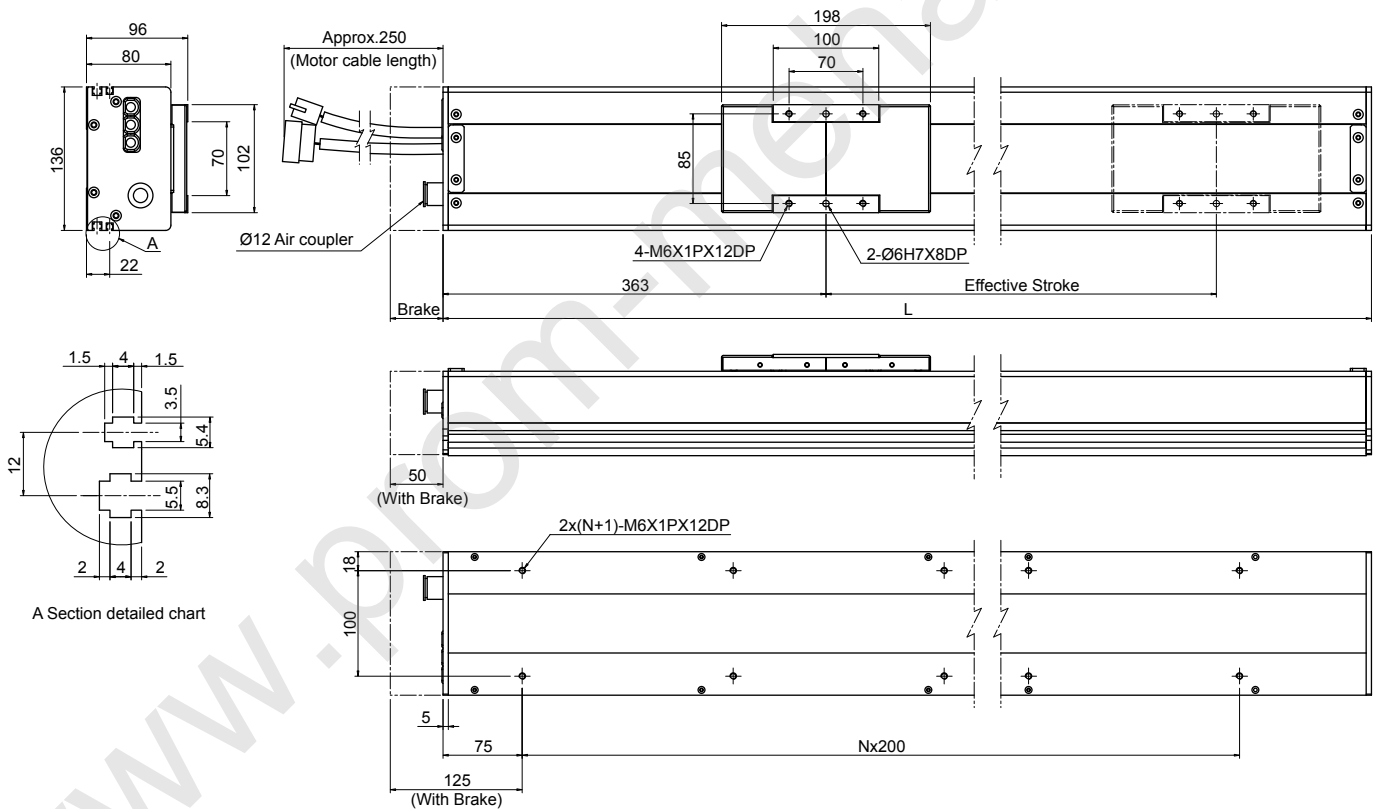
Effective Stroke (mm)	Total Length (mm)	N	Weight (kg)	Max. Speed (mm/sec)		AC Servo Motor Output(W)	100
				Lead 10	Lead 20		
200	600	3	9.1	500	1000	Repeatability (mm)	Grade C: ± 0.01 Grade P: ± 0.005 (uni-direction)
300	700	4	9.8	500	1000		
400	800	4	10.5	500	1000	Degree of cleanroom	Class 100 (When the suction blower is used)
500	900	5	11.2	500	1000		
600	1000	6	11.9	500	1000	Ball screw lead (mm)	20 or 10
700	1100	6	12.6	390	780	Stroke (mm)	200~800 (100 Pitch)
800	1200	7	13.3	315	630	Cable length (m)	5 (Standard), 10

Note: Please consult HIWIN MIKROSYSTEM when using the special specification with the stroke or speed.

3.5 Model Number of KS14 Type



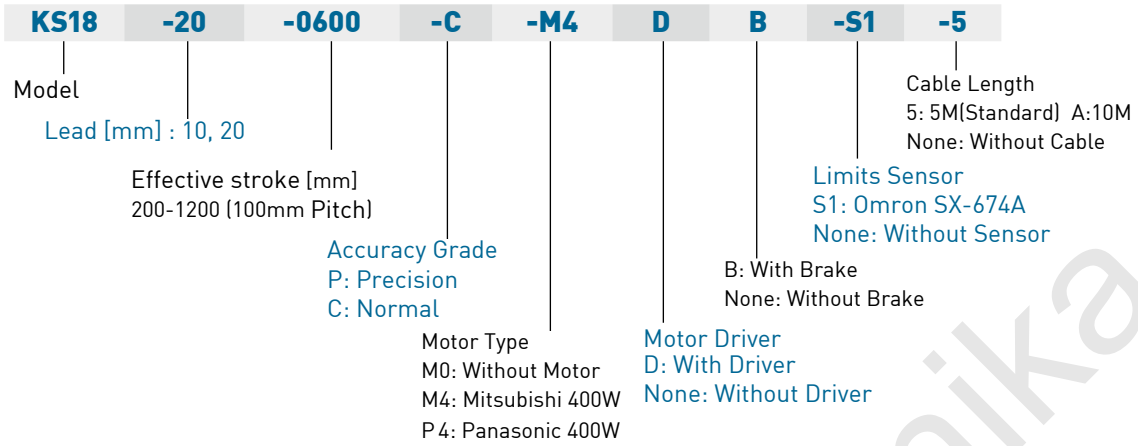
3.6 Dimensions for KS14



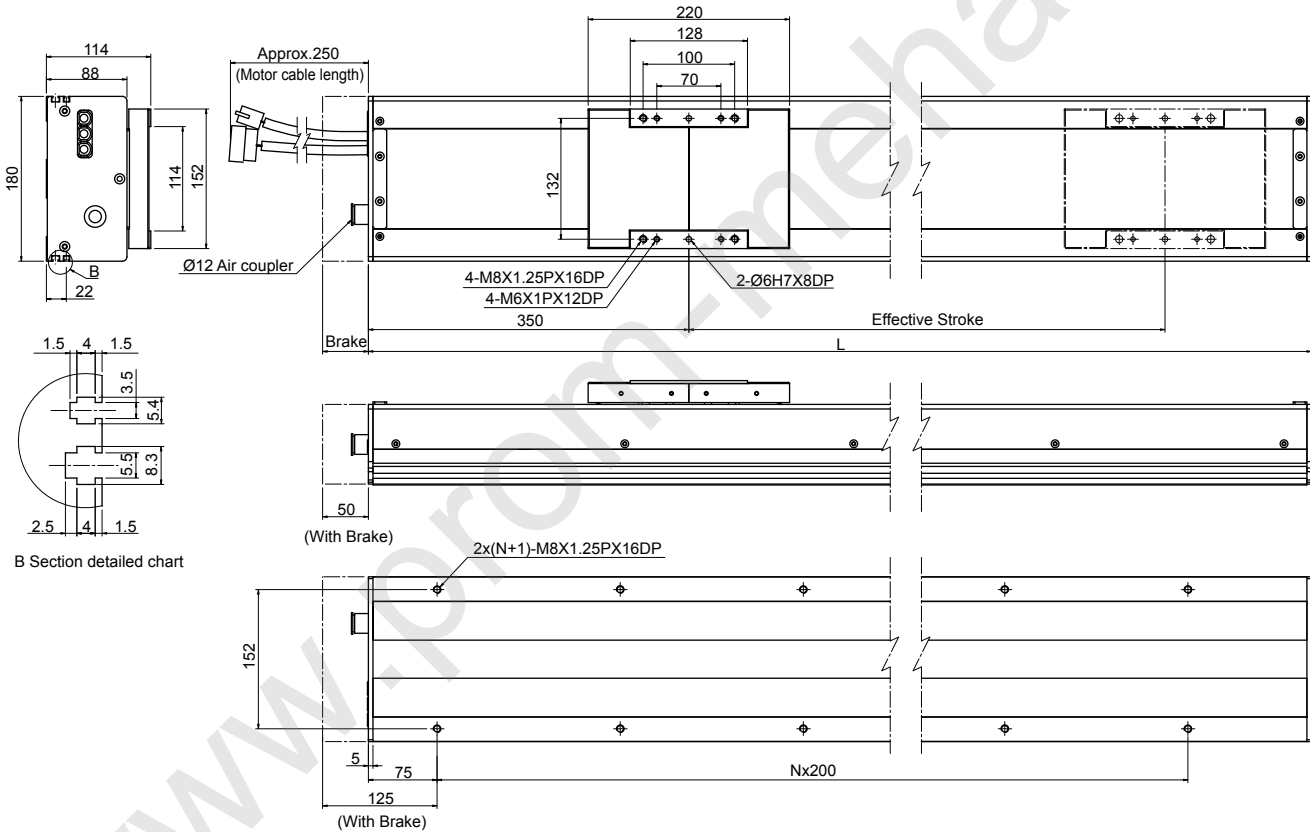
Effective Stroke (mm)	Total Length (mm)	N	Weight (kg)	Max. Speed (mm/sec)		AC Servo Motor Output(W)	100
				Lead 10	Lead 20		
200	700	3	13.5	500	1000	Repeatability (mm)	Grade C: ±0.01 Grade P: ±0.005(uni-direction)
300	800	3	14.7	500	1000		
400	900	4	15.9	500	1000	Degree of cleanroom	Class 100 (When the suction blower is used)
500	1000	4	17.1	500	1000		
600	1100	5	18.3	500	1000	Ball screw lead (mm)	20 or 10
700	1200	5	19.5	500	1000		
800	1300	6	20.7	405	810	Stroke (mm)	200~1100 (100 Pitch)
900	1400	6	21.9	340	680		
1000	1500	7	23.2	285	570	Cable length (m)	5 (Standard), 10
1100	1600	7	24.4	240	480		

Note: Please consult HIWIN MIKROSYSTEM when using the special specification with the stroke or speed.

3.7 Model Number of KS18 Type



3.8 Dimensions for KS18



Effective Stroke (mm)	Total Length (mm)	N	Weight (kg)	Max. Speed (mm/sec)		AC Servo Motor Output(W)	400
				Lead 10	Lead 20		
200	710	3	16.5	500	1000	Repeatability (mm)	Grade C: ±0.01 Grade P: ±0.005(uni-direction)
300	810	3	18.1	500	1000		
400	910	4	19.7	500	1000	Degree of cleanroom	Class 100 (When the suction blower is used)
500	1010	4	21.3	500	1000		
600	1110	5	22.9	500	1000	Ball screw lead (mm)	20 or 10
700	1210	5	24.4	500	1000		
800	1310	6	26	405	810	Stroke (mm)	200~1200 (100 Pitch)
900	1410	6	27.6	340	680		
1000	1510	7	29.2	285	570	Cable length (m)	5 (Standard), 10
1100	1610	7	30.8	240	480		
1200	1710	8	32.3	210	420		

Note: Please consult HIWIN MIKROSYSTEM when using the special specification with the stroke or speed.