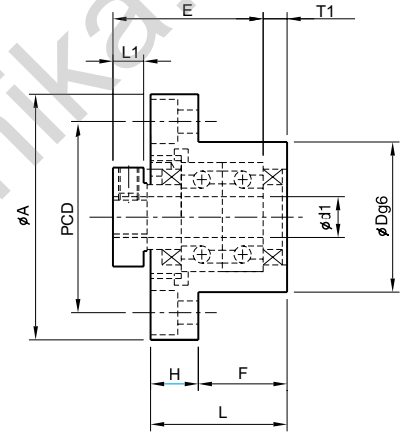
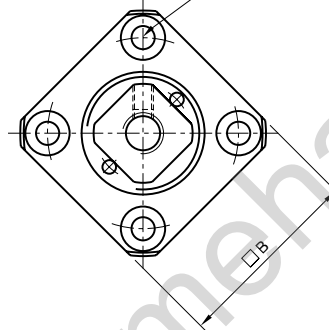


FK 固定側



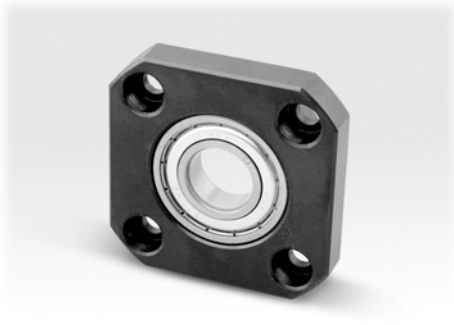
4-X drill through ϕY counter bore depth Z



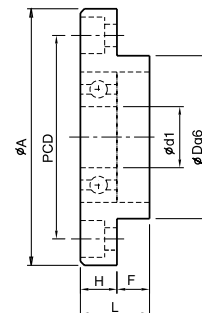
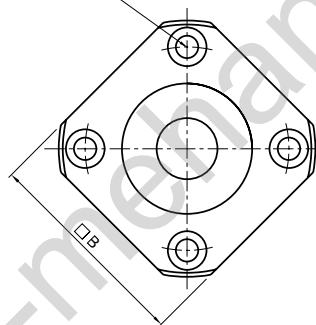
單位 : mm

型號	d1	L	H	F	E	Dg6	A	PCD	B	L1	T1	L2	T2	X	Y	Z	M	T
FK 5	5	16.5	6	10.5	18.5	20	34	26	26	5.5	3.5	7	5	3.4	6.5	4	M2.6	11
FK 6	6	20	7	13	22	22	36	28	28	5.5	3.5	8.5	6.5	3.4	6.5	4	M3	12
FK 8	8	23	9	14	26	28	43	35	35	7	4	10	7	3.4	6.5	4	M3	14
FK 10	10	27	10	17	29.5	34	52	42	42	7.5	5	8.5	6	4.5	8	4	M3	16
FK 12	12	27	10	17	29.5	36	54	44	44	7.5	5	8.5	6	4.5	8	4	M3	19
FK 15	15	32	15	17	36	40	63	50	52	10	6	12	8	5.5	9.5	6	M3	22
FK 17	17	45	22	23	47	50	77	62	61	11	9	14	12	6.6	11	10	M4	24
FK 20	20	52	22	30	50	57	85	70	68	8	10	12	14	6.6	11	10	M4	30
FK 25	25	57	27	30	60	63	98	80	79	13	10	20	17	9	15	13	M5	35
FK 30	30	62	30	32	61	75	117	95	93	11	12	17	18	11	17.5	15	M6	40

FF



4-X drill through ϕY counter bore depth Z



單位 : mm

型號	d1	L	H	F	Dg6	A	PCD	B	X	Y	Z
FF 10	8	12	7	5	28	43	35	35	3.4	6.5	4
FF 12	10	15	7	8	34	52	42	42	4.5	8	4
FF 15	15	17	9	8	40	63	50	52	5.5	9.5	5.5
FF 17	17	20	11	9	50	77	62	61	6.6	11	6.5
FF 20	20	20	11	9	57	85	70	68	6.6	11	6.5
FF 25	25	24	14	10	63	98	80	79	9	14	8.5
FF 30	30	27	18	9	75	117	95	93	11	17.5	11